

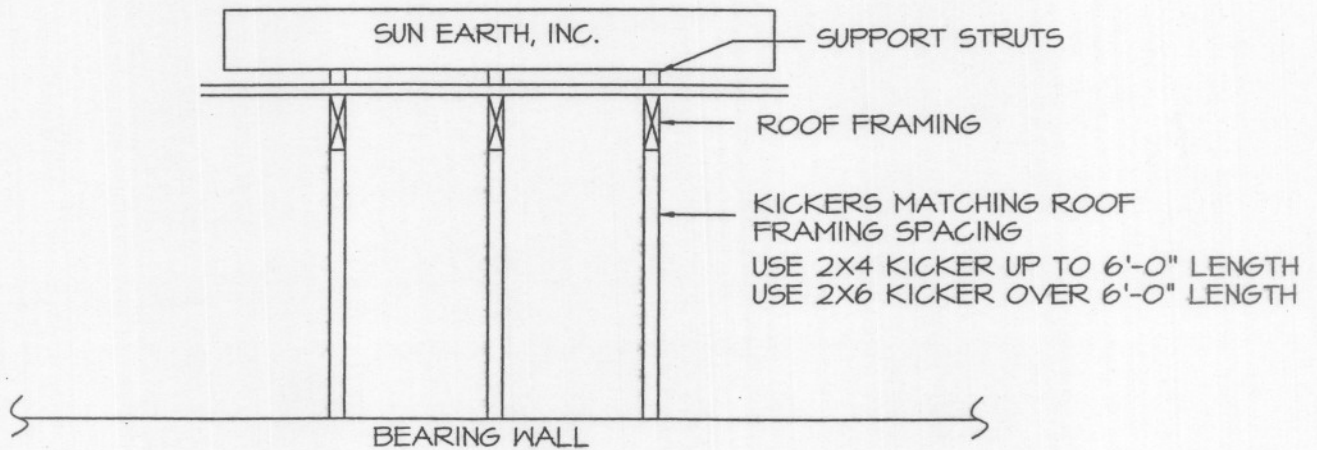
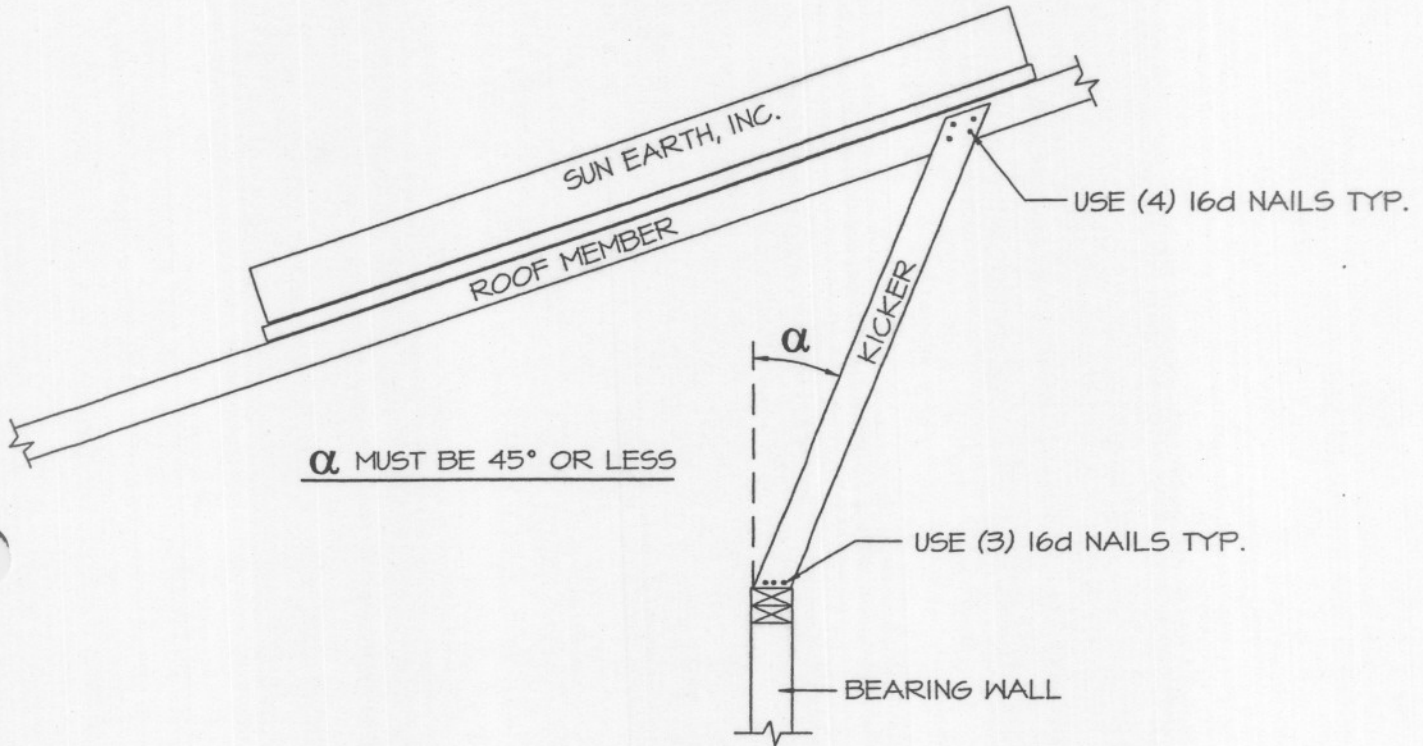
KRISTOPHER COLLINS, P.E.

JOB SUN EARTH, INC.		
LOCATION 4315 SANTA ANA ST. ONTARIO, CA. 91761		
DATE 5/15/2001	JOB NO. .	DWG FILE .
MODEL No. .		

STAMP

601 S. MILLIKEN AVE., SUITE H
ONTARIO, CA 91761
(909) 605-6865 PHONE
(909) 605-6870 FAX

NOTATION: ALTERNATE FRAMING FOR SOLAR UNIT WHERE EXISTING ROOF FRAMING EXCEEDS THE ALLOWABLE LOAD SPANS. REFER TO LOAD SPAN TABLE FOR SPECIFIC MODEL.



NOT TO SCALE

CONVENTIONAL FRAMING w/ BEARING WALL
PARALLEL TO SOLAR UNIT

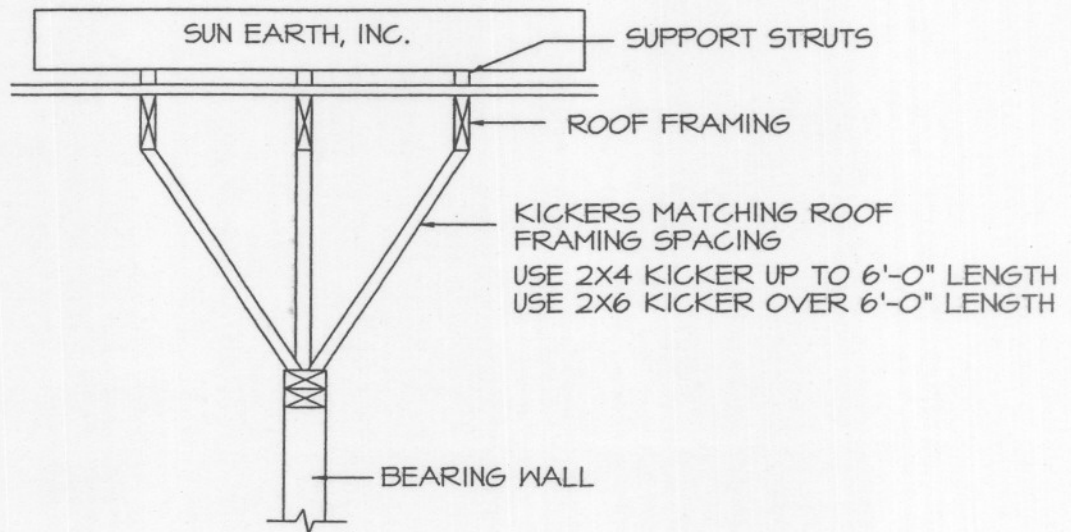
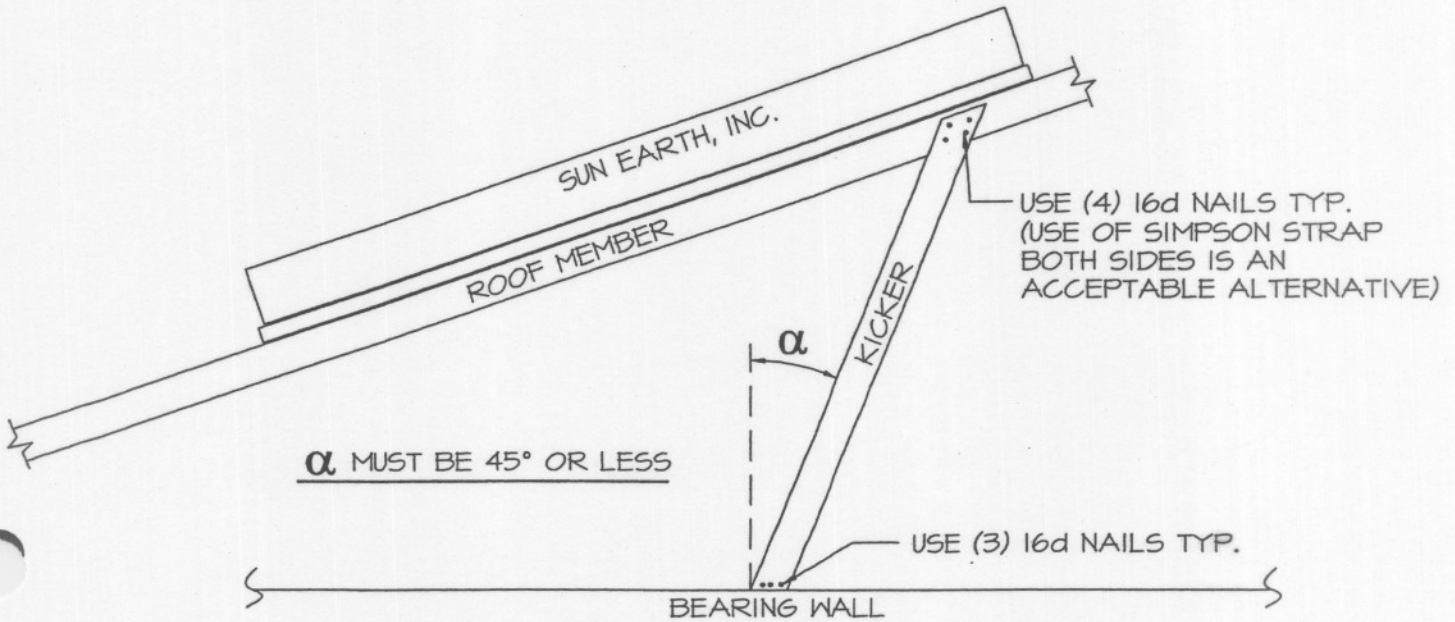
KRISTOPHER COLLINS, P.E.

JOB SUN EARTH, INC.		
LOCATION 4315 SANTA ANA ST. ONTARIO, CA. 91761		
DATE 5/15/2001	JOB NO. .	DWG FILE .
MODEL No. .		

STAMP

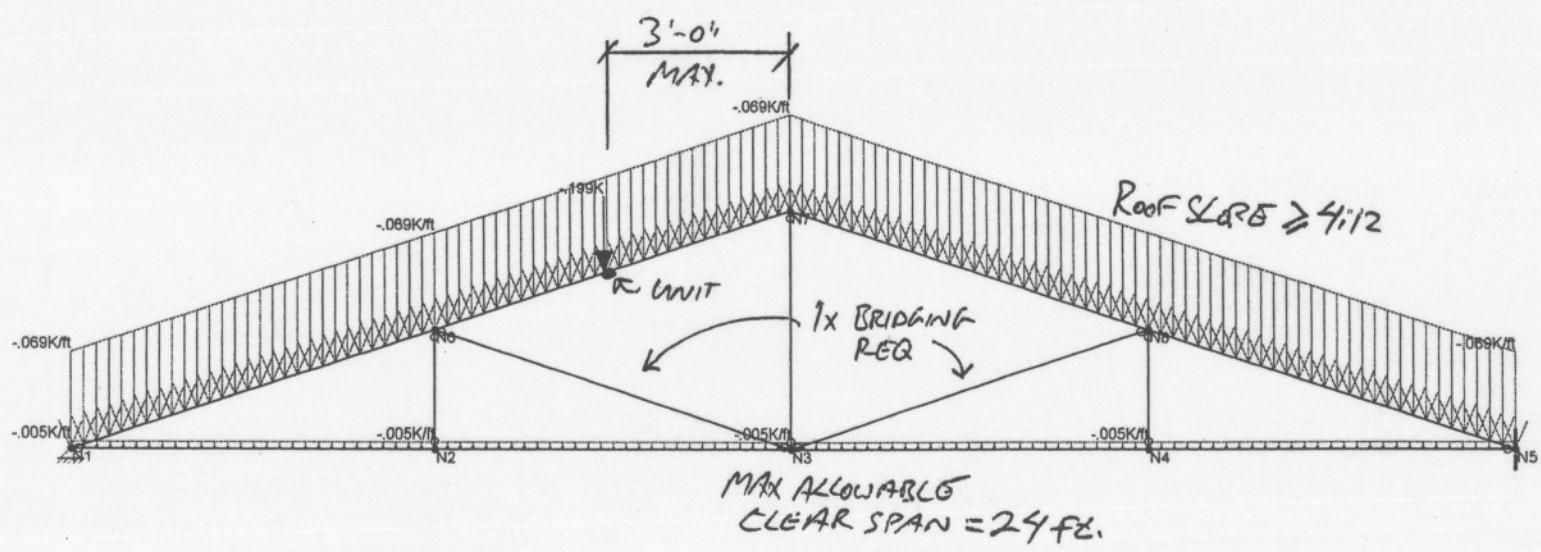
601 S. MILLIKEN AVE., SUITE H
ONTARIO, CA 91761
(909) 605-6865 PHONE
(909) 605-6870 FAX

DESCRIPTION: ALTERNATE FRAMING FOR SOLAR UNIT WHERE EXISTING ROOF FRAMING EXCEEDS THE ALLOWABLE LOAD SPANS. REFER TO LOAD SPAN TABLE FOR SPECIFIC MODEL.



NOT TO SCALE

CONVENTIONAL FRAMING w/ BEARING WALL
PERPENDICULAR TO SOLAR UNIT



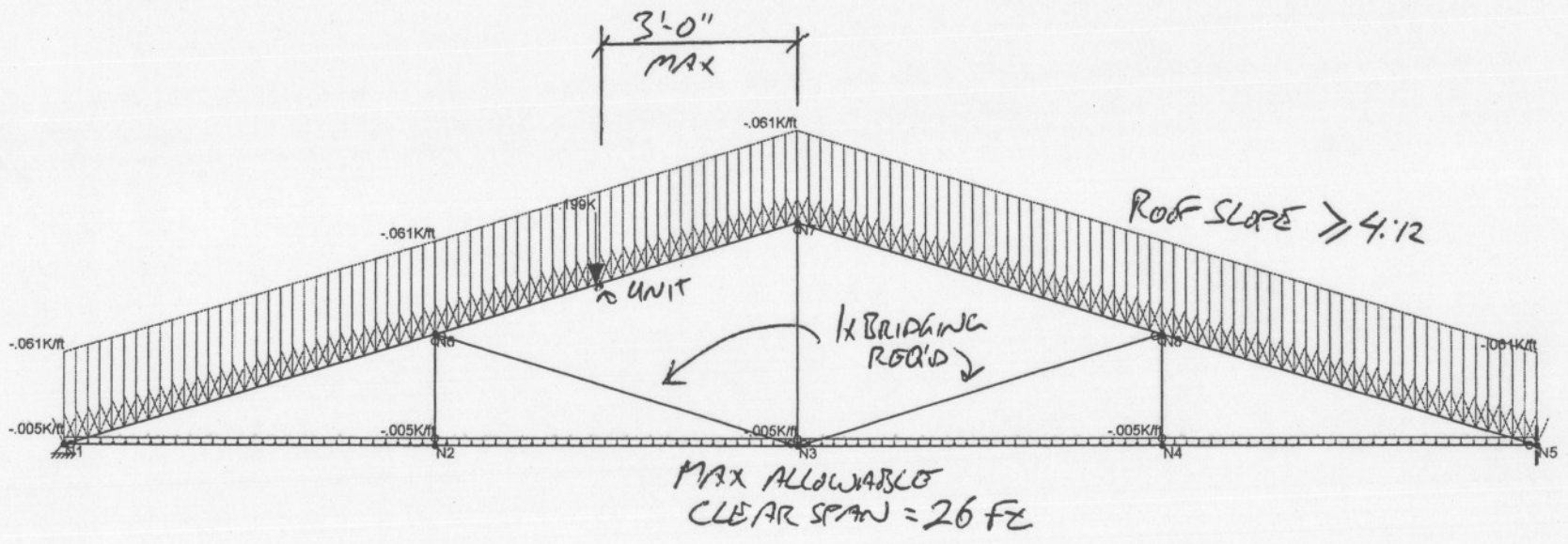
Loads: BLC 1, LIVE
Solution: LC 1, LIVE+DEAD

KRISTOPHER COLLINS, P.E.

SUN EARTH, INC. - COPPERHEART No. CP-40

NORMAL WEIGHT TILE ROOF

EPGCP-40T.R2D



Loads: BLC 1, LIVE
Solution: LC 1, LIVE+DEAD

KRISTOPHER COLLINS, P.E.

SUN EARTH, INC. - COPPERHEART No. CP-40

ASPHALT SHINGLE ROOF (3) LAYERS

EPGCP-40A.R2D