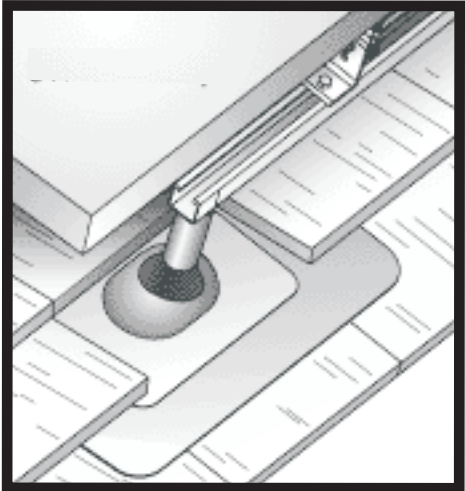
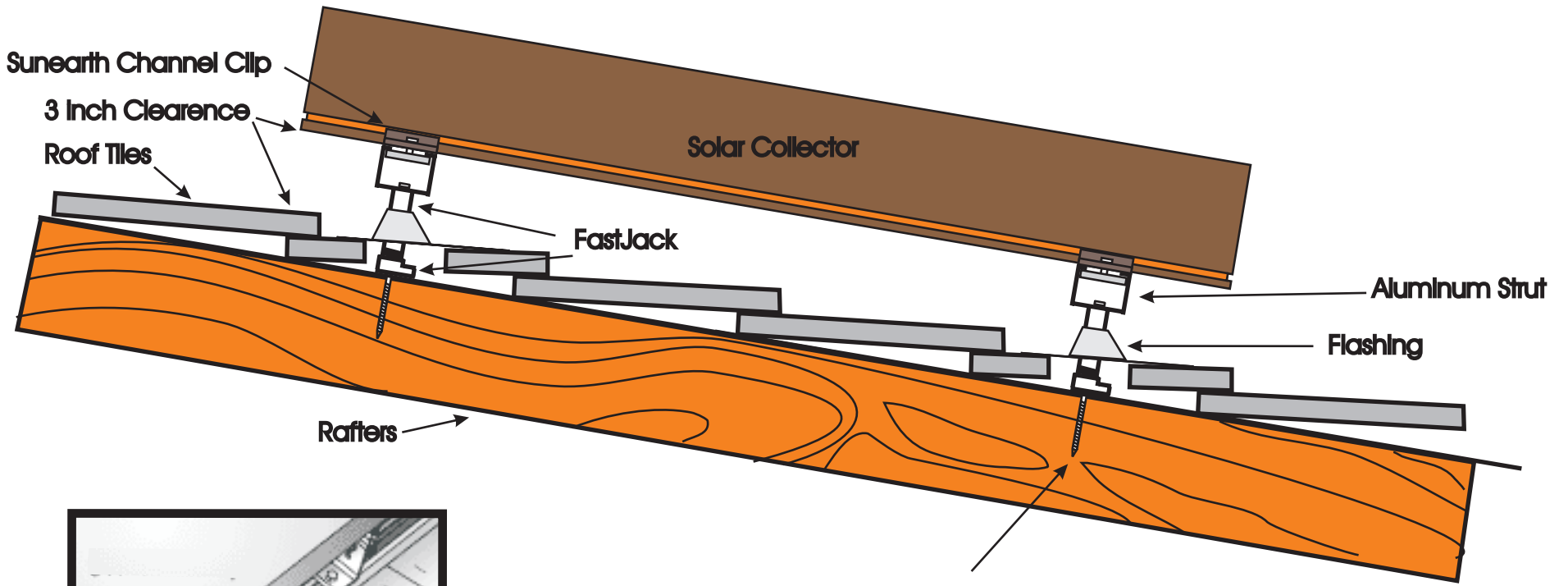


# DHW mounting on standoff posts and tiled around. (same method for composition or tiled roofs)



DHW mounting on standoff posts and tiled around.  
(same method for composition or tiled roofs)

